



Extend the Life of your Printhead with Save-a-Printhead Cleaning Film

The delicate printhead is the most critical component in your printer. To extend printhead life, follow the preventive maintenance procedure or use *Save-a-Printhead* cleaning film.

For 200 and 300 dpi printers: Clean the printhead using either the alcohol solution **OR** the cleaning film:

- after every roll of thermal transfer ribbon
- after every roll of direct thermal labels
- when CLEAN HEAD NOW appears on the liquid crystal display (LCD)

For 600 dpi printers: Clean the printhead using the alcohol solution **AND** the cleaning film

- after every roll of direct or thermal transfer labels
- when CLEAN HEAD NOW appears on the liquid crystal display (LCD)

Preventive Maintenance

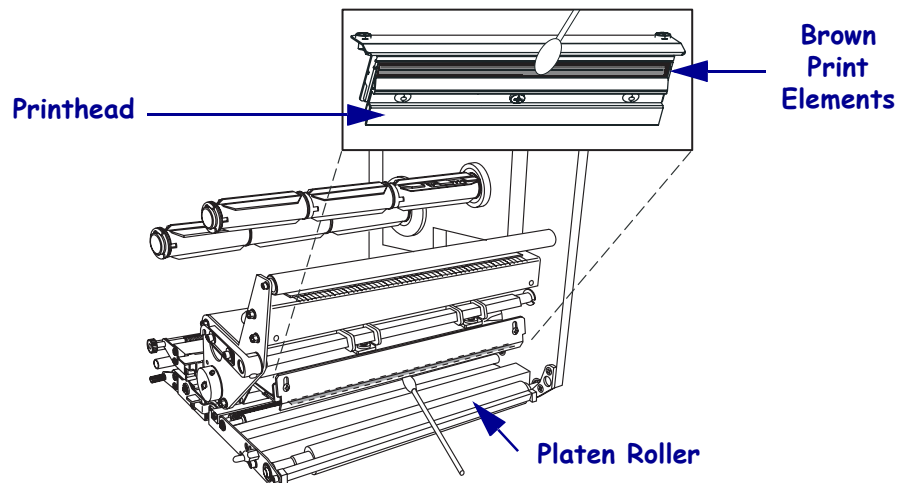


Note • The printhead and platen roller may be cleaned when the printer's power switch is in the On (I) position.

1. Open the media cover.
2. Open the printhead.
3. Lightly blow or brush away loose dust and lint particles within the print mechanism. Be sure to dust the rollers, media or ribbon sensors, and printhead.
4. **Caution** • Do not touch the printhead with any hard, metallic, or abrasive object or tools. Abrasion could damage the printhead.

To clean the printhead, use the presoaked (isopropyl alcohol) cleaning swabs from the Zebra Preventative Maintenance Kit (part number 47362). See [Figure 1](#). Press the swab tip against the printhead. Wipe the print elements from end to end and allow the solvent to evaporate.

Figure 1 • Printhead Elements and Location (110PAX4 Printer Shown)



5. While manually rotating the platen roller, clean it thoroughly with the swab and allow the solvent to evaporate.

Save-a-Printhead Cleaning Film

Save-a-Printhead cleaning film is a coated film that removes contamination without printhead damage. Use the film:

- when you see degrading print quality
- when preventive maintenance procedure cannot improve the quality.



Note • On an *XiIIIPlus* printer, the CLEAN HEAD NOW message must be manually reset (cleared) using the control panel menu.



Caution • An improperly seated printhead data cable or power cable could result in the printhead generating excessive heat that could cause harm if it is touched. Allow the printhead to cool.

1. Open the media cover.
2. Open the printhead.
3. Remove the labels and ribbon.
4. Clean the printhead. Follow the recommended procedure in *Preventive Maintenance on page 1*.
5. Position the *Save-a-Printhead* film in the print path. Place the film's glossy side down and away from the printhead. (Keep the film's matte side up.)
6. Close and latch the printhead.
7. Slowly pull the full length of the film through the print mechanism. (You only need to pass the film through once.)
8. Clean the printhead a second time following *Preventive Maintenance on page 1*.
9. Reload the labels and ribbon.
10. Close and latch the printhead.
11. Close the media cover.
12. Print labels and inspect for improved print quality.
13. If quality has not improved, contact Zebra's Technical Support staff at www.zebra.com/support.

Order Information

Save-a-Printhead Cleaning Film Kits

Purchase *Save-a-Printhead* cleaning film kits from Zebra or a Zebra reseller. The five *Save-a-Printhead* cleaning film kits accommodate printers with different print widths. Each kit contains three 10 in. (254 mm) film strips.

Kit Part Number	Description
46902	3-4 in. (76 mm-102 mm)
44902	4-5 in. (102 mm-127 mm)
48902	5-6 in. (127 mm-152 mm)
38902	6-7 in. (152 mm-178 mm)
22902	8-9 in. (178 mm-229 mm)

Replacement Printhead

To protect your warranty and assure optimum performance, use only Zebra printheads.